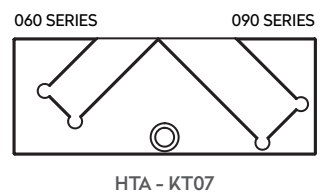
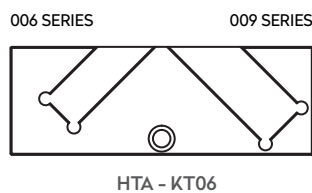
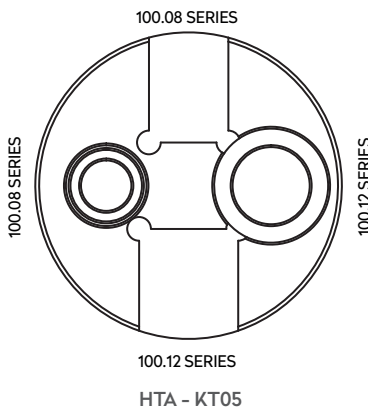
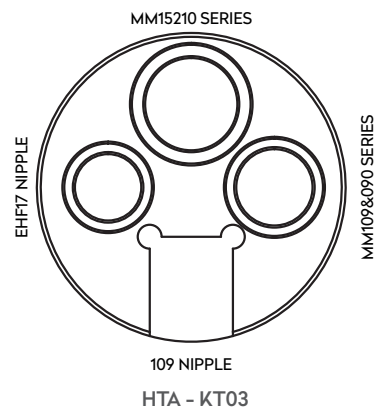
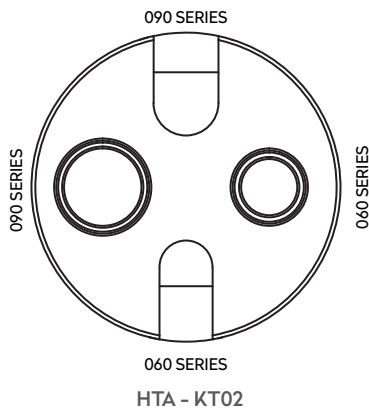
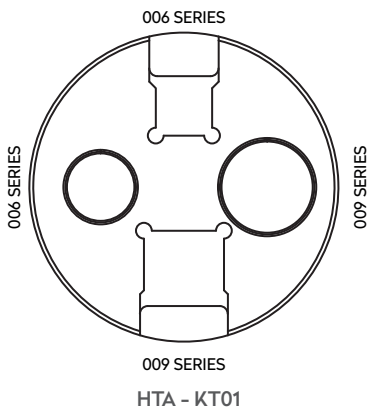
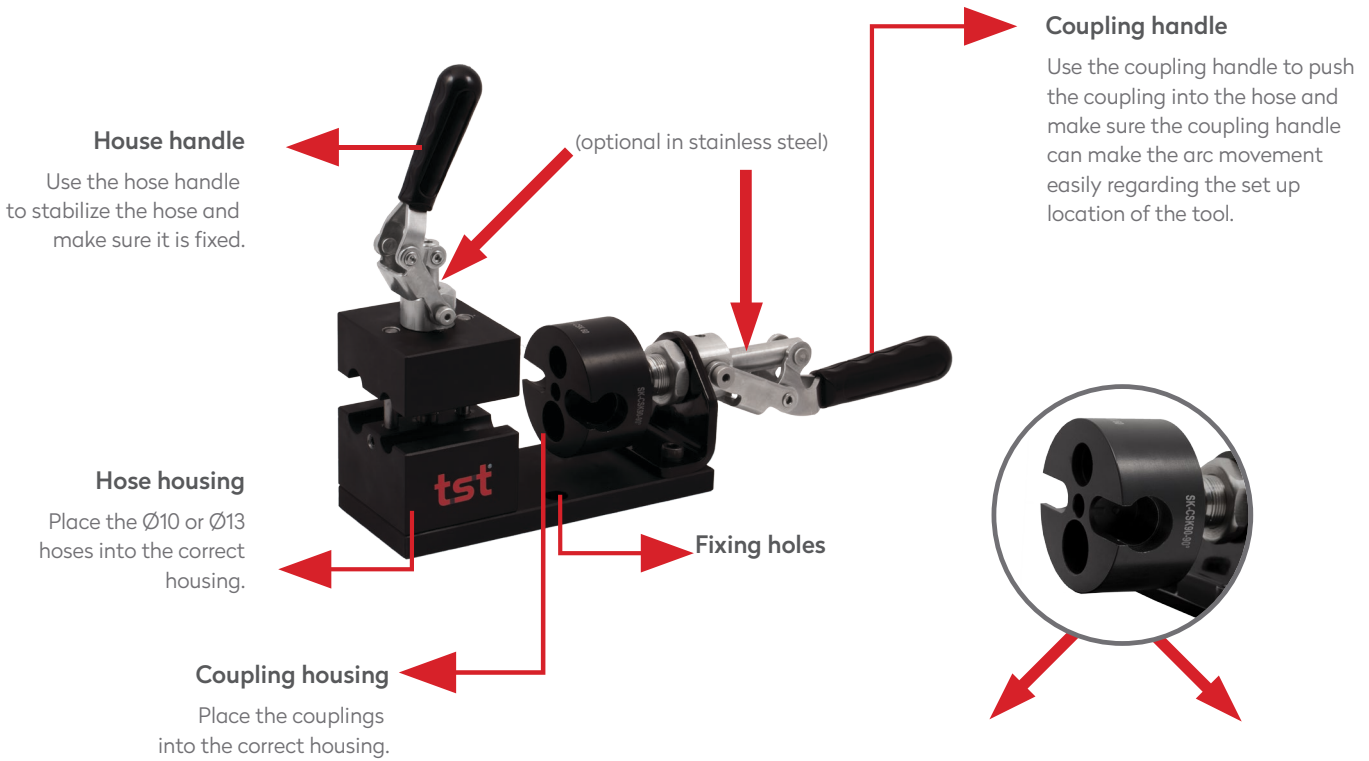
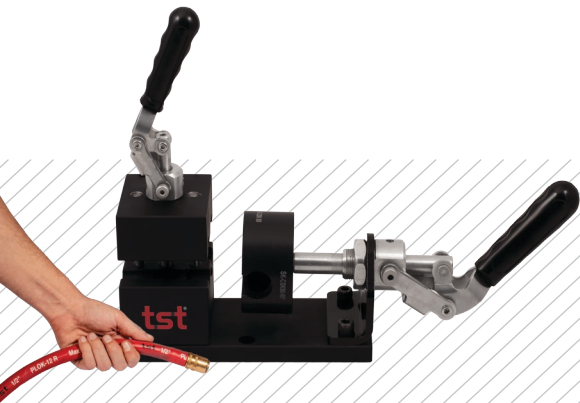


PUSH TO LOCK - HOSE ASSEMBLY TOOL

SCHLAUCH-MONTAGEWERKZEUG

SERIE HTA 10-13





PUSH TO LOCK - HOSE ASSEMBLY TOOL

SCHLAUCH-MONTAGEWERKZEUG

# SERIE HTA 10-13

## HOW IT WORKS


**1**

Insert the hose into the suitable groove in the hose housing and rotate the hose handle to clamp the hose down.

Suitable Ø10 hoses for the application are;  
 PLOK10 - PDLOK10 - WHMLOK10 - WHMDLOK10  
 and Ø12 hoses are; PLOK12 - PDLOK12 - WHMLOK12 - WHMDLOK12


**2**

Make sure the hose inlet is max 3 cm away from the housing in order to keep the hose inlet stable and ready for assembly.

The hose inlet can either be perfectly aligned with the housing or max 3 cm away from the housing for an easier assembly of couplings.


**3**

Place the coupling into the suitable coupling housing and make sure the accurate housing is installed on the tool. If not, please replace the housing with the other housing which you will find in the box.

The housing kit can either be for SK-CSK90, SK-CSK60-90, SK-CSK90-90, 100.08 or HK-HVK9-90, HK-HVK9,100.08-90 type of couplings.  
 EHF type of adaptors are also suitable for usage.


**4**

Rotate the coupling handle in order to have the coupling touch the hose inlet.

Once you are sure both are aligned, please push the flexible hose tail all the way into the hose.